

3D PDF DATASHEET



eCATALOG solutions



BIM catalogs.net



PART solutions



Create Your Individual 3D PDF Datasheet



Learn How to Create Your Mechanical Product Catalog



Learn How to Create Your BIM Product Catalog



Reduce Your Costs in Engineering and Purchasing

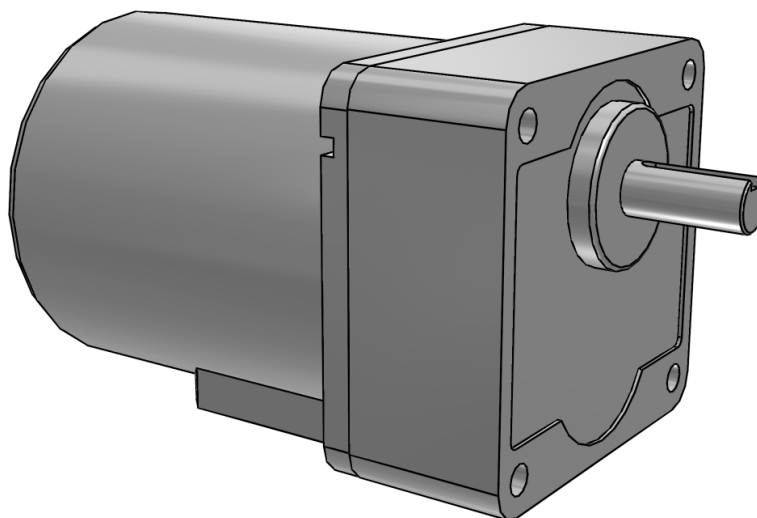


M91X40GV4Y+MX9G25B

Panasonic

3D View

To activate the interactive 3D view, you must trust this document (see hint on the top) in Adobe Acrobat and click on the question mark.



Zoom

Moves you toward or away from objects in the scene when you drag vertically. You can also zoom with the hand tool by holding down Shift as you drag.

Pan

Moves the model vertically and horizontally only. You can also pan with the hand tool: Ctrl-drag.

Rotate

Turns 3D objects around relative to the screen. How the objects move depends on the starting view, where you start dragging and the direction in which you drag.

3D PDF DATASHEET



eCATALOGsolutions



BIM catalogs.net



PARTsolutions



Create Your Individual 3D PDF Datasheet



Learn How to Create Your Mechanical Product Catalog



Learn How to Create Your BIM Product Catalog



Reduce Your Costs in Engineering and Purchasing

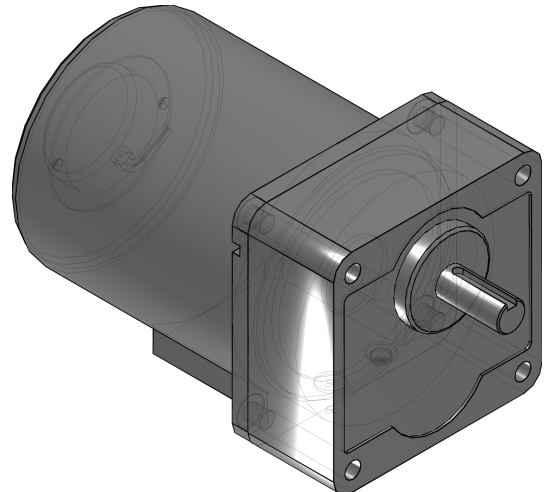
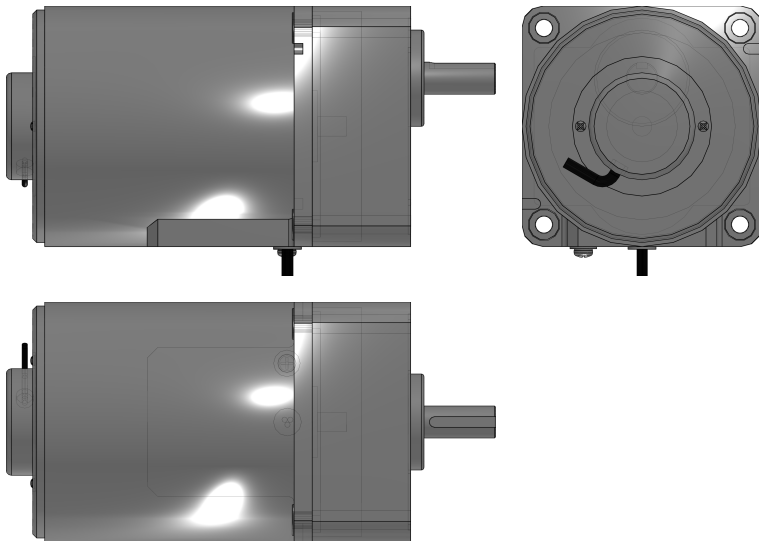


M91X40GV4Y+MX9G25B

Panasonic

2D derivation

ISO View



3D PDF DATASHEET



 eCATALOG solutions




 BIM catalogs.net





 PART solutions



Create Your Individual 3D PDF Datasheet 

Learn How to Create Your Mechanical Product Catalog 

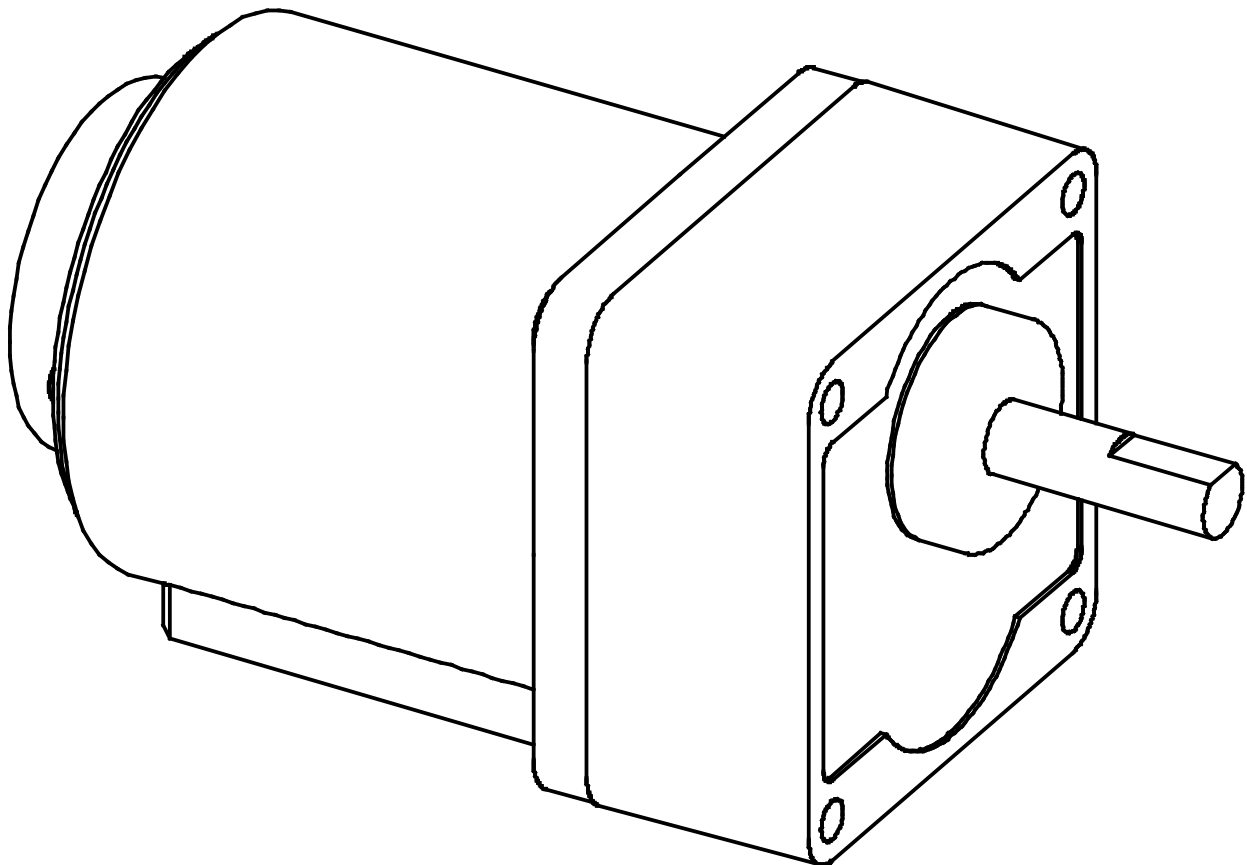
Learn How to Create Your BIM Product Catalog 

Reduce Your Costs in Engineering and Purchasing 

M91X40GV4Y+MX9G25B

Panasonic

Technical drawings



3D PDF DATASHEET



 eCATALOG solutions




 BIM catalogs.net





 PART solutions



Create Your Individual 3D PDF Datasheet 

Learn How to Create Your Mechanical Product Catalog 

Learn How to Create Your BIM Product Catalog 

Reduce Your Costs in Engineering and Purchasing 

M91X40GV4Y+MX9G25B

Panasonic

Technical Data

S (Size mm)	90
R (Rated output W)	40
P (Power supply V)	Single phase 200 V
SG (Select global)	Japan
RA (Ratio)	1/25
GH (Gear head)	MX9G_B (Ball bearing type without Hinge)
CNSORDERNO (Order code)	M91X40GV4Y+MX9G25B

3D PDF DATASHEET



 eCATALOG solutions




 BIM catalogs.net



 PARTsolutions



Create Your Individual 3D PDF Datasheet 

Learn How to Create Your Mechanical Product Catalog 

Learn How to Create Your BIM Product Catalog 

Reduce Your Costs in Engineering and Purchasing 

M91X40GV4Y+MX9G25B

Panasonic

Bill of Materials

N°	Description	Amount
1	M91X40GV4Y+MX9G25B	1
1.1	SGS-Speed Con GS1-90-40--Motor	1
1.2	Worm shaft-90-40--Shaft	1
1.3	NGS-Speed Con GS1-90-40-Cabel	1
1.4	MX9G-2-NGS--Gear head	1